

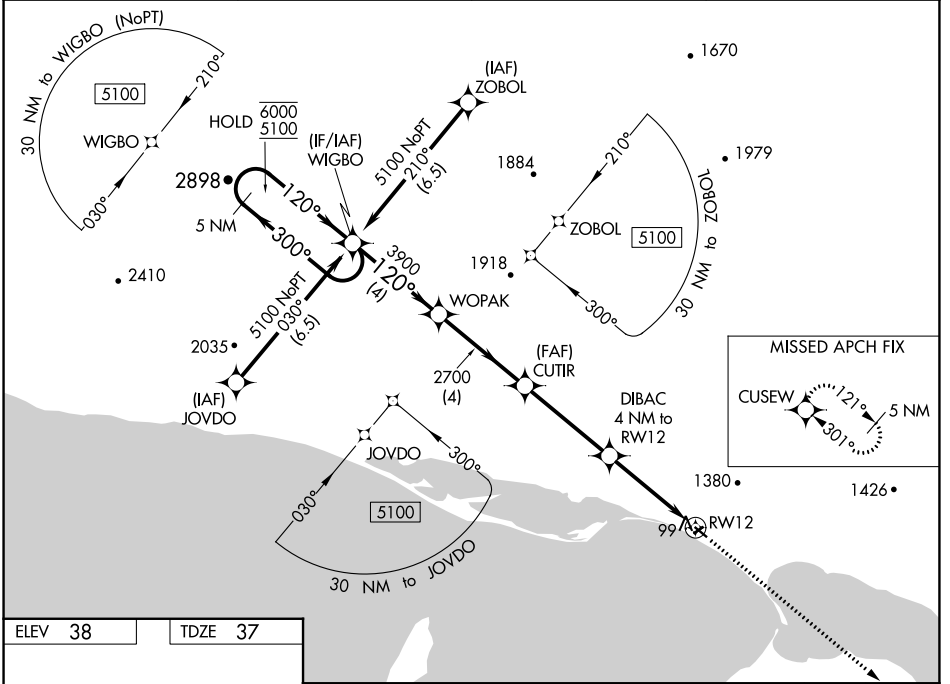
WAAS CH 77628 W12A	APP CRS 120°	Rwy Idg 2990 TDZE 37 Apt Elev 38
---------------------------------	------------------------	---

RNAV (GPS) RWY 12

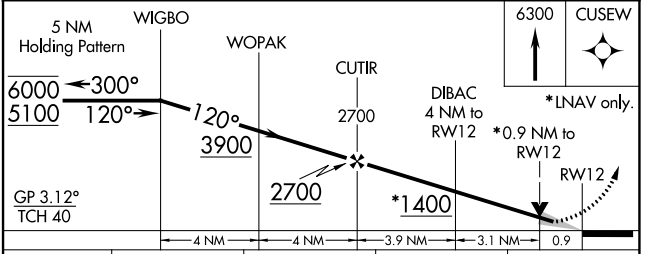
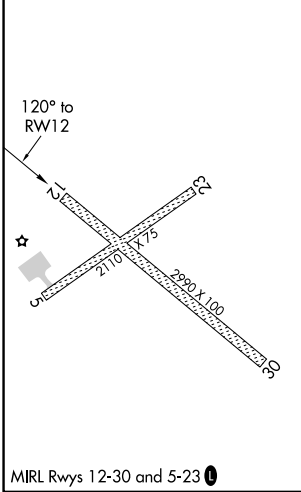
BREVIG MISSION (KTS) (PFKT)

RNP APCH.	MISSED APPROACH: Climb to 6300 direct CUSEW and hold, continue climb-in-hold to 6300.
<p>∇ Circling NA north of Rws 12 and 23. Circling Rwy 23 NA at night. ⚠ For uncompensated Baro-VNAV systems, LNAV/VNAV NA below -25° C or above 54°C.</p>	

AWOS-3P 121.55	ANCHORAGE CENTER 133.3 290.4	NOME RADIO 135.6	CTAF 123.0
--------------------------	--	----------------------------	----------------------



ELEV 38	TDZE 37
---------	---------



CATEGORY	A	B	C	D
LPV DA	287-1	250 (300-1)		NA
LNAV/VNAV DA	287-1	250 (300-1)		NA
LNAV MDA	360-1	323 (400-1)		NA
C CIRCLING	620-1 582 (600-1)	1460-1½ 1422 (1500-1½)		NA

AK, 25 JAN 2024 to 21 MAR 2024

AK, 25 JAN 2024 to 21 MAR 2024

WAAS CH 81928 W30A	APP CRS 301°	Rwy Idg TDZE Apt Elev	2990 37 38
--	------------------------	-----------------------------	---------------------------------------

RNAV (GPS) RWY 30

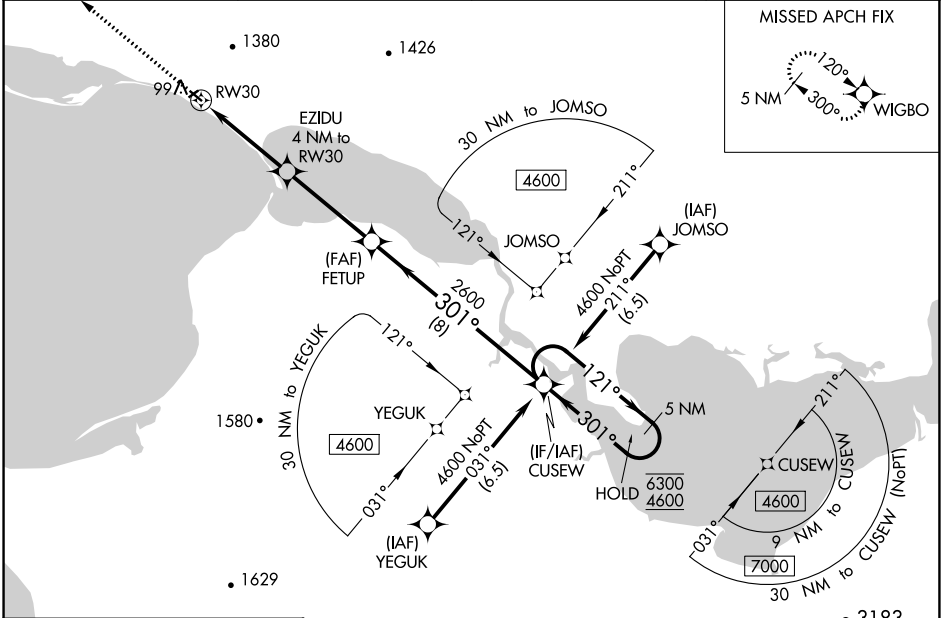
BREVIG MISSION (KTS) (PFKT)

RNP APCH.

⚠ Circling NA north of Rwy 12 and 23. Circling Rwy 23 NA at night.
⚠ For uncompensated Baro-VNAV systems, LNAV/VNAV NA below -25° C or above 54° C.

MISSED APPROACH: Climb to 5100 direct WIGBO and hold, continue climb-in-hold to 5100.

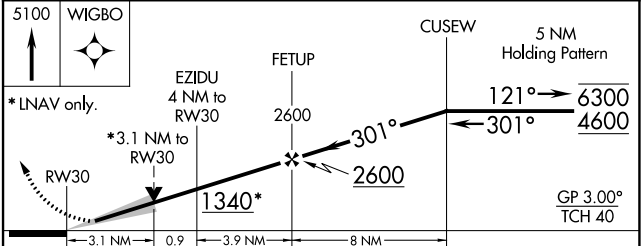
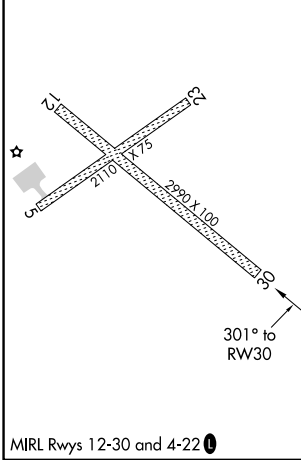
AWOS-3P 121.55	ANCHORAGE CENTER 133.3 290.4	NOME RADIO 135.6	CTAF 123.0
--------------------------	--	----------------------------	----------------------



AK, 25 JAN 2024 to 21 MAR 2024

AK, 25 JAN 2024 to 21 MAR 2024

ELEV 38	TDZE 37
---------	---------



CATEGORY	A	B	C	D
LPV DA	287-1¼ 250 (300-1¼)	287-1	250 (300-1)	NA
LNAV/VNAV DA	960-4 923 (1000-4)			NA
LNAV MDA	1080-1¼ 1043 (1100-1¼)	1080-1½ 1043 (1100-1½)	1080-3 1043 (1100-3)	NA
C CIRCLING	1080-1¼ 1042 (1100-1¼)	1460-2½ 1422 (1500-2½)	1580-3 1542 (1600-3)	NA