

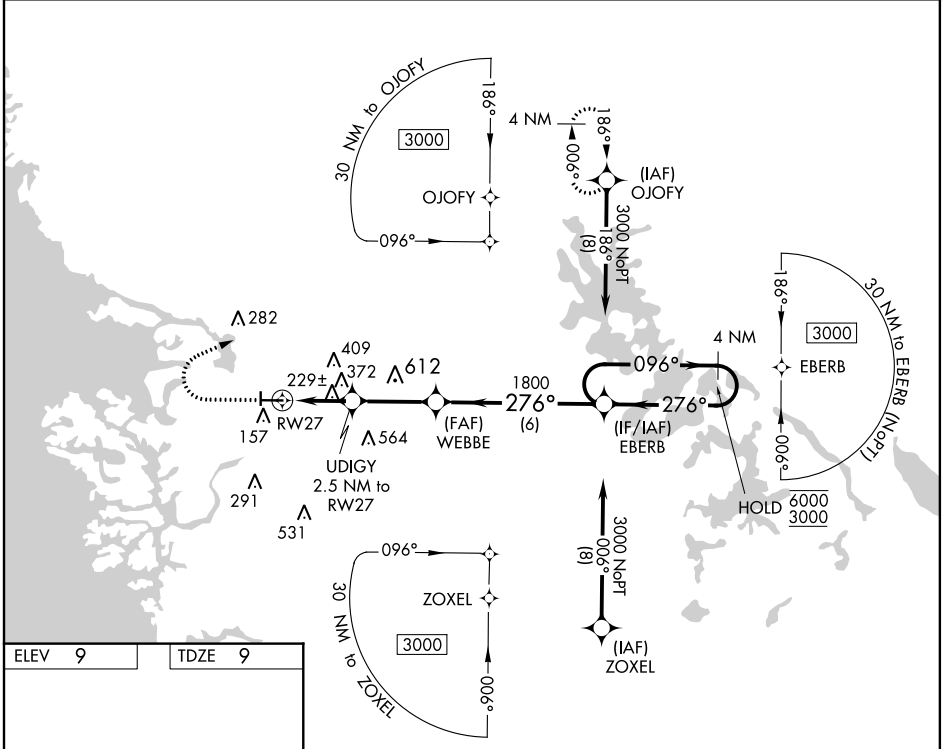
WAAS CH 90333 W27A	APP CRS 276°	Rwy Idg TDZE Apt Elev	4557 9 9
--	------------------------	-----------------------------	-------------------------------------

RNAV (GPS) RWY 27

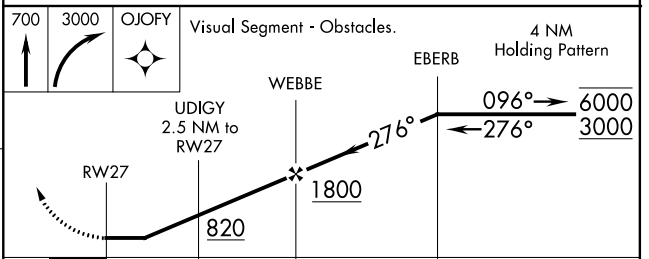
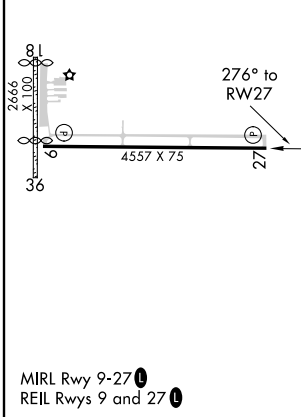
CRYSTAL RIVER-CAPTAIN TOM DAVIS FIELD (CGC)

RNP APCH.	<p>▼ Circling NA to Rwys 18 and 36. Procedure NA at night. ▲ Rwy 27 helicopter visibility reduction below 1 SM NA.</p>	<p>MISSED APPROACH: Climb to 700 then climbing right turn to 3000 direct OJOFY and hold.</p>
-----------	--	--

AWOS-3 118.325	JACKSONVILLE APP CON 118.6 251.15	UNICOM 122.725 (CTAF) 0
--------------------------	---	-----------------------------------



ELEV 9	TDZE 9
--------	--------



CATEGORY	A	B	C	D
LP MDA	480-1	471 (500-1)	480-1 $\frac{3}{8}$	471 (500-1 $\frac{3}{8}$)
LNAV MDA	640-1	631 (700-1)	640-1 $\frac{3}{4}$	631 (700-1 $\frac{3}{4}$)
CIRCLING	640-1	631 (700-1)	760-2 $\frac{1}{4}$ 751 (800-2 $\frac{1}{4}$)	880-2 $\frac{3}{4}$ 871 (900-2 $\frac{3}{4}$)

SE-3, 19 MAY 2022 to 16 JUN 2022

SE-3, 19 MAY 2022 to 16 JUN 2022

WAAS CH 45834 W09A	APP CRS 095°	Rwy Idg TDZE Apt Elev	4557 9 9
--	------------------------	-----------------------------	-------------------------------------

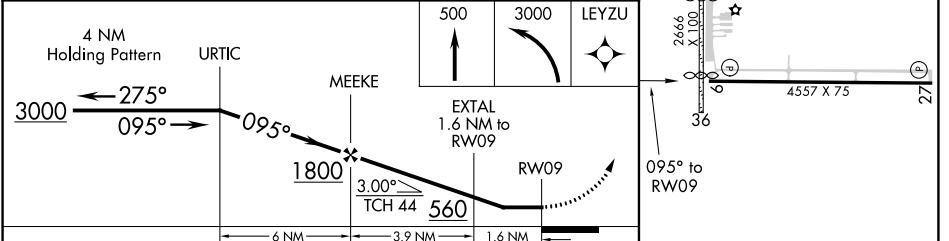
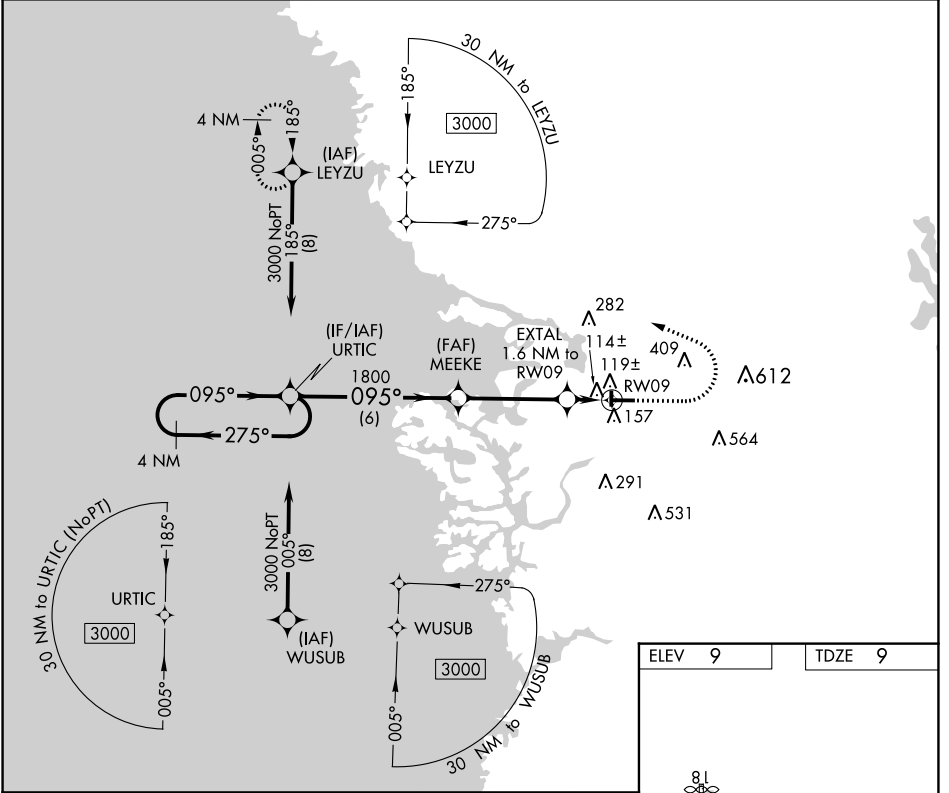
RNAV (GPS) RWY 9

CRYSTAL RIVER-CAPTAIN TOM DAVIS FIELD (CGC)

▼ Procedure NA at night. DME/DME RNP-0.3 NA. When local altimeter setting not received, use Ocala altimeter setting and increase all MDA 80 feet; increase LP Cat C/D visibility 3/8 mile, LNAV Cat C/D visibility 1/4 mile and Circling Cat C/D visibility 1/4 mile. Helicopter visibility reduction below 1 SM NA.

▲ MISSED APPROACH: Climb to 500 then climbing left turn to 3000 direct LEYZU and hold.

AWOS-3 118,325	JACKSONVILLE APP CON 118.6 251.15	UNICOM 122.725 (CTAF) 0
--------------------------	---	-----------------------------------



CATEGORY	A	B	C	D	
LP MDA		380-1	371 (400-1)		
LNAV MDA	420-1	411 (500-1)	420-1 1/8	411 (500-1 1/8)	
C CIRCLING	460-1 451 (500-1)	540-1 531 (600-1)	760-2 1/4 751 (800-2 1/4)	880-2 3/4 871 (900-2 3/4)	MIRL Rwy 9-27 0 REIL Rlys 9 and 27 0

SE-3, 19 MAY 2022 to 16 JUN 2022

SE-3, 19 MAY 2022 to 16 JUN 2022