

WAAS CH <b>49019</b> W <b>18A</b>	APP CRS <b>184°</b>	Rwy Idg <b>5013</b> TDZE <b>44</b> Apt Elev <b>44</b>
---	------------------------	---

# RNAV (GPS) RWY 18

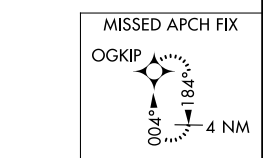
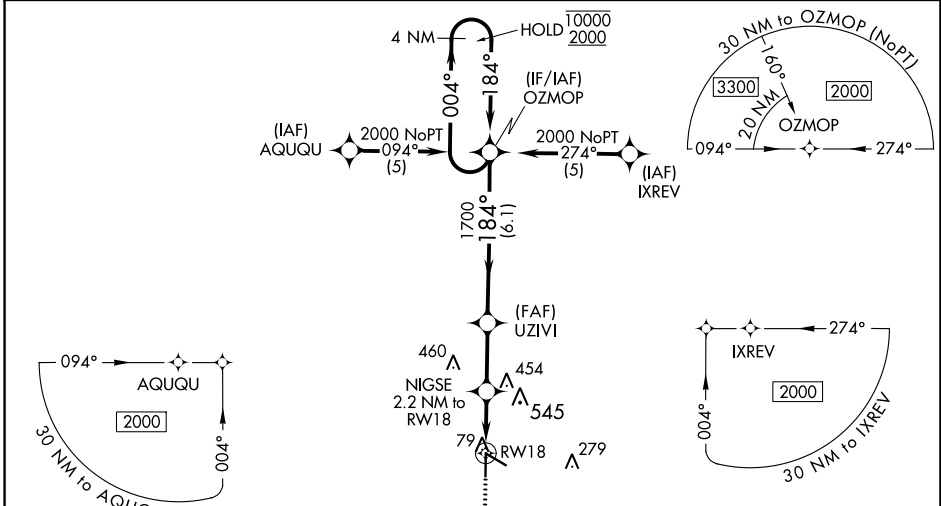
PERRY-FOLEY (F'PY)

RNP APCH.

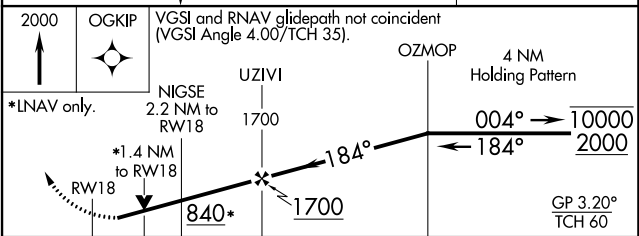
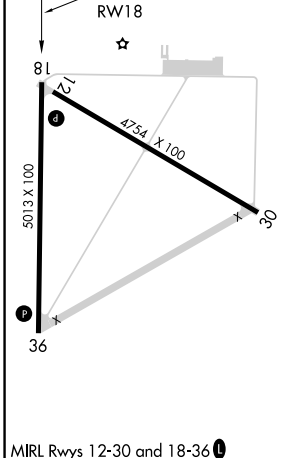
**▼** Circling to Rwy 36, 12 NA at night.  
**▲** Rwy 18 helicopter visibility reduction below 3/4 SM NA.  
 For uncompensated Baro-VNAV systems, LNAV/VNAV NA below -15°C or above 54°C.

MISSED APPROACH: Climb to 2000 direct OGTKIP and hold.

AWOS-3PT <b>118.375</b>	JACKSONVILLE CENTER <b>127.8 352.0</b>	UNICOM <b>122.8 (CTAF) 0</b>
----------------------------	---	---------------------------------



ELEV <b>44</b>	TDZE <b>44</b>
----------------	----------------



CATEGORY	A	B	C	D
LPV DA		356-1	312 (400-1)	NA
LNAV/VNAV DA		977-3	933 (1000-3)	NA
LNAV MDA	660-1	616 (700-1)	660-1 3/4 616 (700-1 3/4)	660-2 616 (700-2)
CIRCLING	660-1	616 (700-1)	860-2 1/2 816 (900-2 1/2)	860-2 3/4 816 (900-2 3/4)

SE-3, 22 FEB 2024 to 21 MAR 2024

SE-3, 22 FEB 2024 to 21 MAR 2024